

# LUCAS IGNITION

SECTION

F

## DISTRIBUTORS, H.T. COILS MAGNETOS, SUPPRESSORS

For service purposes some distributors are supplied less clamping plate, actuating lever and driving dog, etc. (See Detailed Parts Section, pages F8 onwards, item Distributor, service). If required, these items should be ordered separately. Where service distributor is not shown, unit is supplied complete.

### DISTRIBUTORS

#### Model Interpretation

##### Prefix

- B Ball bearing.
- D Distributor.
- D (1) Number indicates design change.
- H Horizontal cable outlets.
- K Small cast iron body with moulded contact breaker base and die-cast auto-advance weights.
- KY Die-cast body with pressed steel contact breaker base.
- M Micro control.
- P Porous bushing.
- U Large cast iron body with moulded contact breaker base.
- V Built-in vacuum control.
- X Hardened steel auto-advance mechanism.

##### Prefix

- Y Large cast iron body; pressed steel contact breaker base; die-cast auto-advance weights.
- Z Rolling weights auto-advance mechanism.

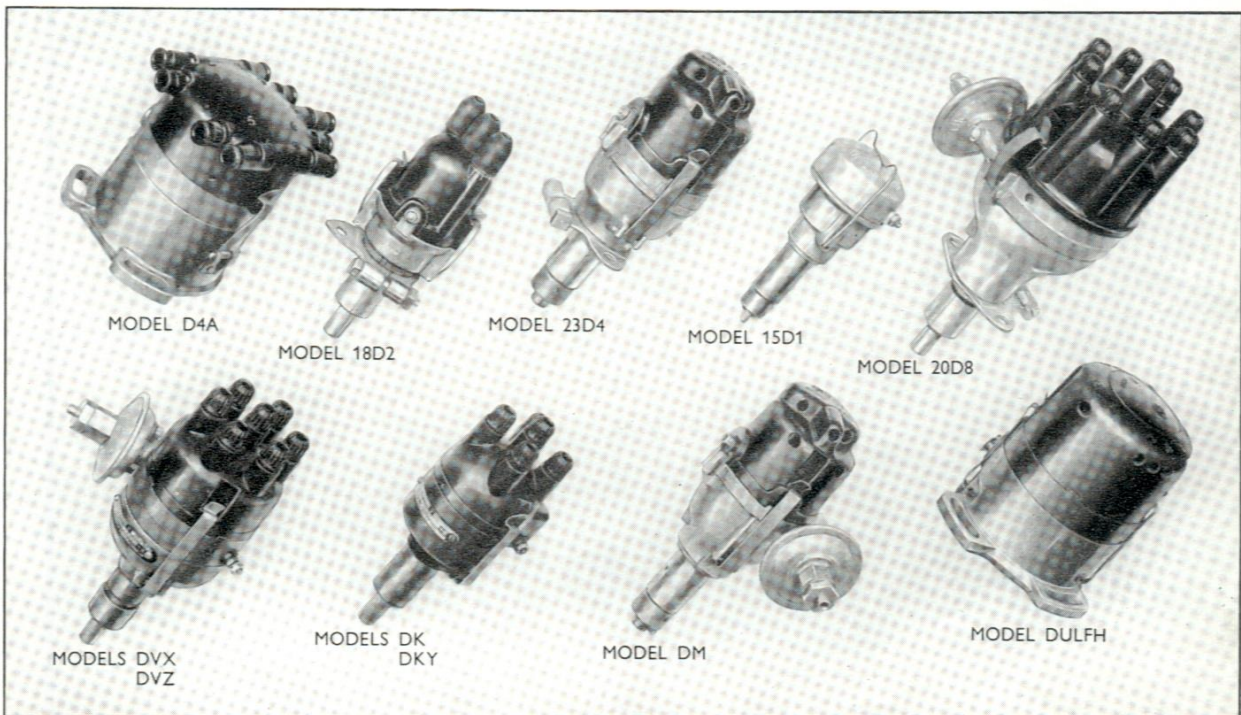
##### Suffix Numerals

- 1 Suitable for single cylinder engines.
- 2 Suitable for twin cylinder engines.
- 4 Suitable for four cylinder engines.
- 6 Suitable for six cylinder engines.
- 8 Suitable for eight cylinder engines.

##### Prefix or Suffix

- \*A Fitted with automatic advance and retard.

*\* This symbol is omitted from latest models as they are all fitted with automatic advance mechanism.*





# DISTRIBUTORS



**DM2P4**



MODEL DM

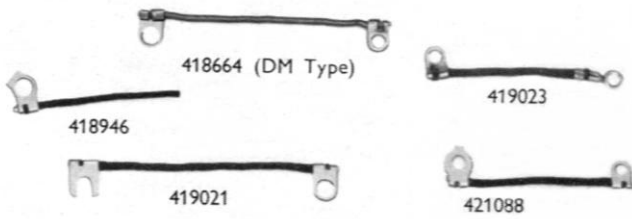


418865



418861

## CONNECTORS AND LEADS



## ROTOR ARMS



## CONTACT SETS

### CONDENSERS





# DISTRIBUTORS

## BASES, CONTACT BREAKER



418650



419980 (with Pivot Pin)



420178



420375

## CLIPS



425765



421824



421078



422318

## AUTO ADVANCE SPRINGS



## TERMINAL



## Brush & Springs



418856

## BUSHING



419430

## Lubricator & Lead



419525/S



422238

## Auto Advance Weights



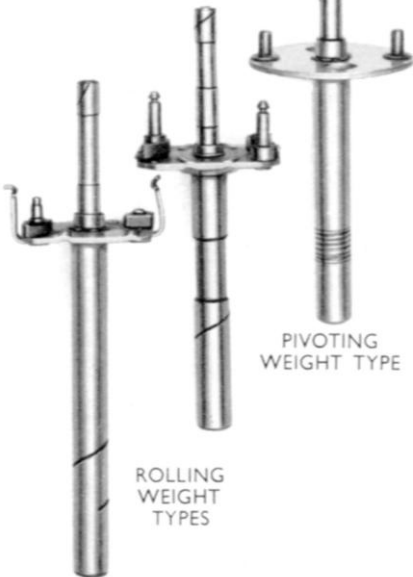
418321 (C)

## Toggles



418707

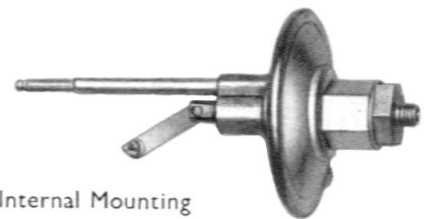
## SHAFT AND ACTION PLATES



PIVOTING WEIGHT TYPE

ROLLING WEIGHT TYPES

## Vacuum Control Unit



Internal Mounting

DM Type

## Driving Dogs & Sleeves



421825



419086

## Micro Adjusting Nut



419087



421191



496059



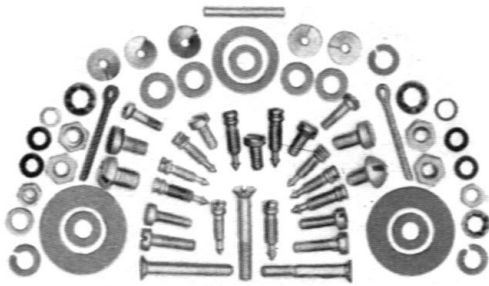
496058





# DISTRIBUTORS

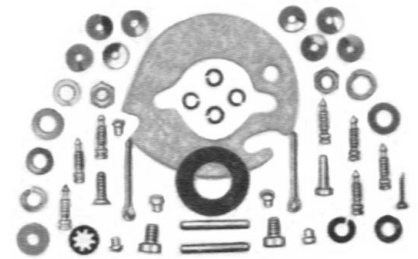
## SUNDRY PARTS SETS



SUNDRY PARTS SET (Typical)



419644



419645